


Ceiling Speaker CSM 165-6 EN54






 14	EN 54-24:2008 Ref. No.: U05-17 ID-Code: UET-LS01 1438-CPR-0554
Loudspeaker for voice alarm systems for fire detection and fire alarm systems for buildings	
Ceiling Loudspeaker, 6W, with fire dome, CSM 165-6 EN54, Typ A	
Artikel-No.: 108020	
CE-Symbol according 93/68EWG	

The 6W powered speaker is equipped with a 165mm full-range loudspeaker chassis and a 100V transformer with 3 power adjustments. The powder coated metal, similar RAL 9010, guarantees long-term stability. For additional reliability, a 2-pin ceramic terminal and a thermal fuse is provided and the speaker chassis is impregnated against wetness.

The speaker is also secured with protection class IP 21C against the security risks of environmental influences. Quick and easy mounting with spring clamps and short tension distance. The connecting cables can be supplied by rubber grommets in the included fire dome.

This speaker is suitable for a ceiling strength of about 2 – 45 mm. Our specification is primarily related to solid ceilings, for ceilings with soft materials a higher ceiling thicknesses could be necessary. In addition, stronger cables and other fittings may also result in changes of the appropriate setup. With regard to the variety of materials and manufacturers, we recommend to build in a sample of the speaker to match the requirements accurately.

UNielectronic CSM 165-6 EN54	
Ceiling Speaker Art.-No. 108020	
Certificate No.: 1438-CPR-0554	
EN 54-24 DIN IEC 268-5	
Type A - Rated voltage: 100V	Made in Germany
Rated voice / noise power: 6W	
Tappings: 6W/3W/1,5W	



Ceiling Speaker CSM 165-6 EN54

Technical Data (Electrical)

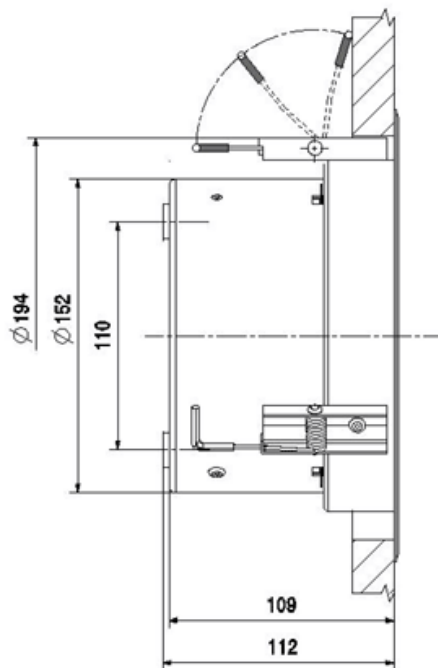
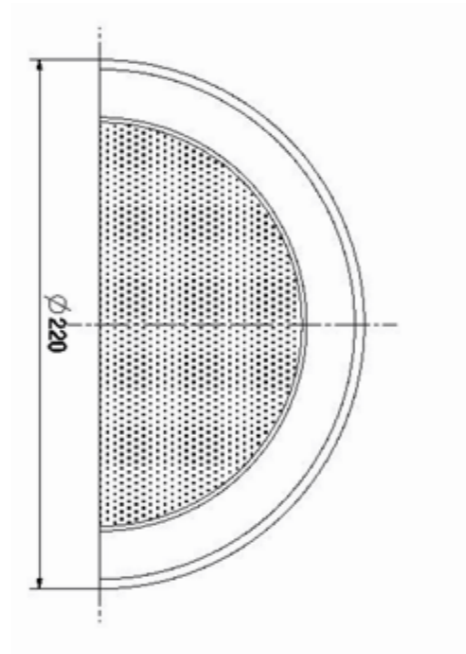
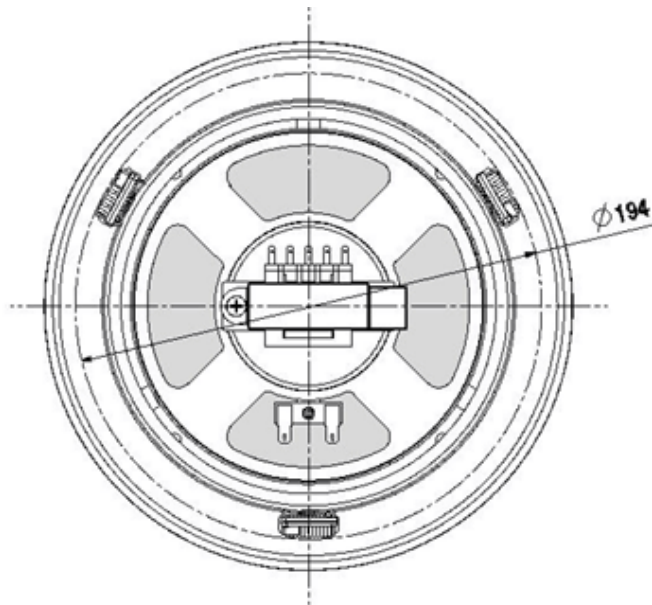
Rated voice / noise power	6/3/1,5 W
Frequency range (-10dB) IEC 268-5	404 - 10.100 Hz
Frequency response	80 - 24.000 Hz
SPL 1W/1m IEC 268-5	102,5 dB
SPL 1W/4m IEC 268-6	90,5 dB
SPL Pmax/4m IEC 268-7	98,2 dB
Sensitify 1W/4m EN54-24	78 dB
Dispersionanglel -6dB, 500Hz	180°
Dispersionanglel -6dB, 1KHz	180°
Dispersionanglel -6dB, 2KHz	128°
Dispersionanglel -6dB, 4KHz	55°

Technical Data (Mechanical)

Dimensions	220 x 112 mm
Weight	1,3 kg
Ceiling cutout	198 mm
Temperature range	-20 / +80 °C
Befestigung	Spring clamp
Anschluss	2-pin ceramic block
IP Rating	IP21
Maximum cable cross section	8mm ²
Maximum cable cross section loop	2x2mm ²
Color	RAL 9010

Ceiling Speaker CSM 165-6 EN54

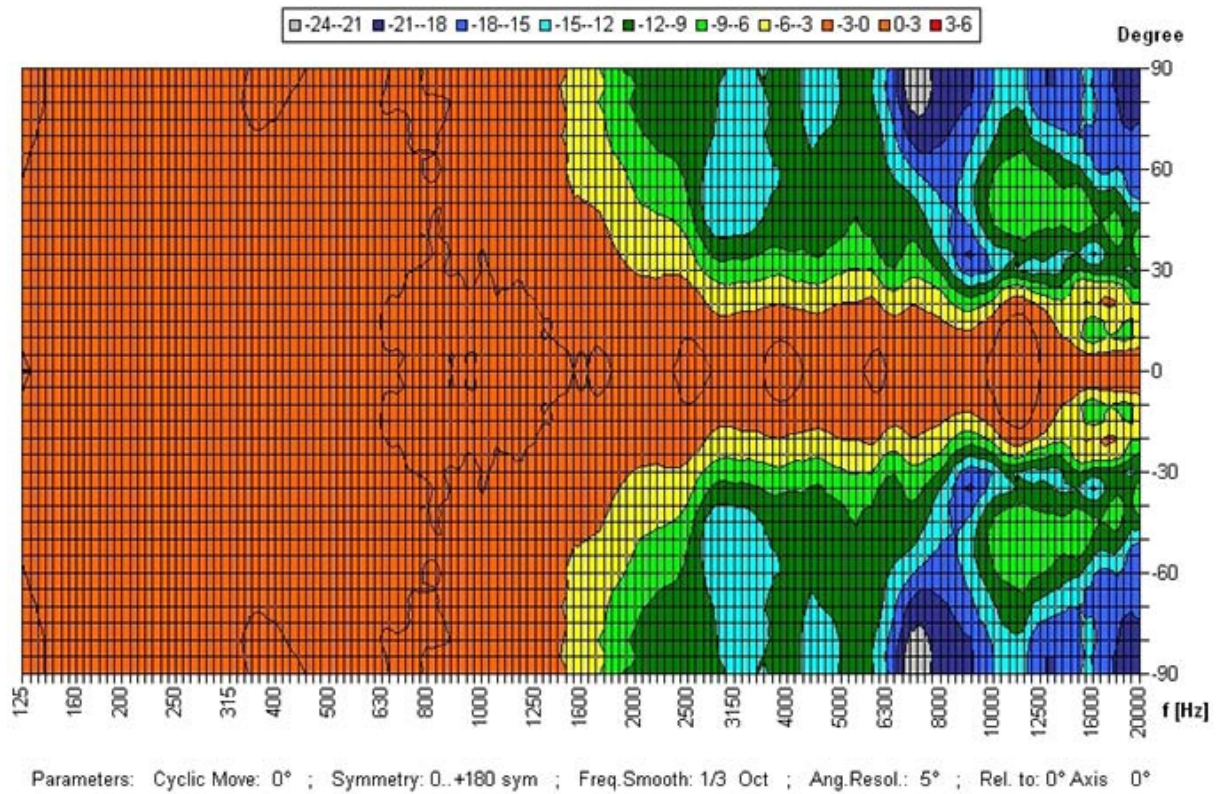
Technical Diagram:



Ceiling Speaker CSM 165-6 EN54

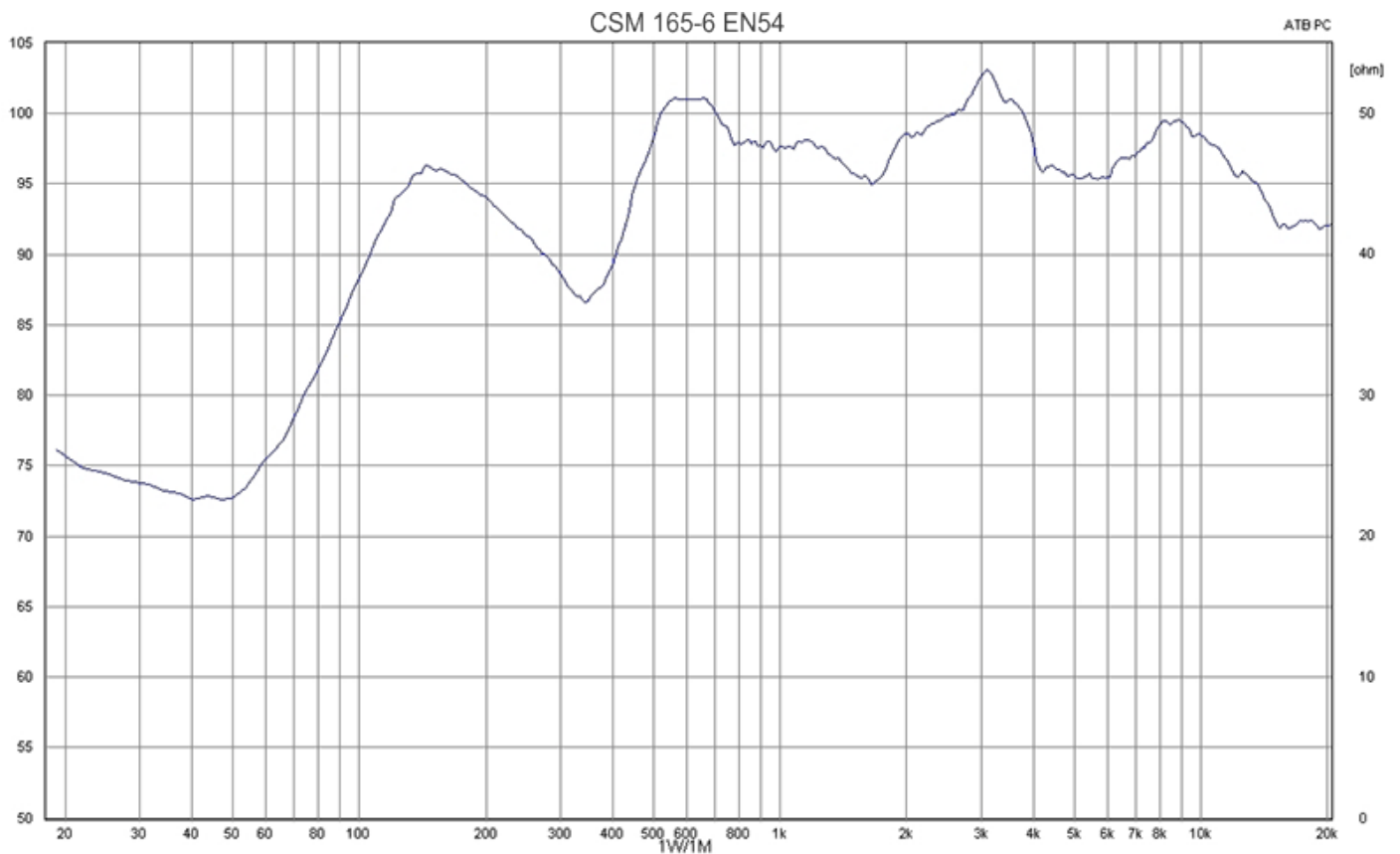
Polar Diagram:

Copyright by Four-Audio GmbH & Co KG Licensed to AAC



Ceiling Speaker CSM 165-6 EN54

Frequency Response Diagram:



Measurements according to DIN IEC 268-5 | RoHS compliant (2011/65/EU)

Artikel-No.: 108020

Packing Unit 12

The speaker is also compliant with the British Standard BS 5839, Part 8.